

# 4M X 33 Bits DRAM SIMM Memory Module

## FEATURES

- Performance range:

	t <sub>RAC</sub>	t <sub>CAC</sub>	t <sub>RC</sub>
STI334000-60	60ns	15ns	110ns
STI334000-70	70ns	20ns	130ns
STI334000-80	80ns	20ns	150ns

- Fast Page Mode operation
- CAS-before-RAS refresh capability
- RAS-only and Hidden refresh capability
- TTL compatible inputs and outputs
- Single +5V ± 10% power supply
- 2048 cycles/32ms refresh
- JEDEC standard pinout

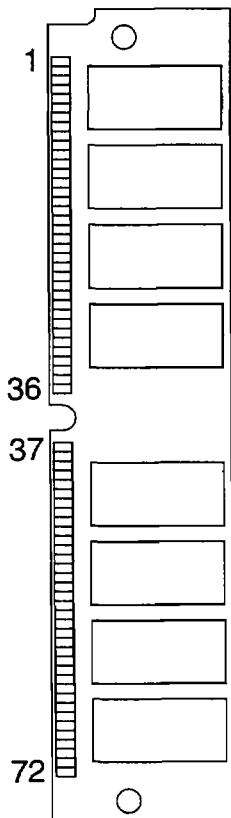
## GENERAL DESCRIPTION

The Simple Technology STI334000 is a 4M x 33 bits Dynamic RAM high density memory module. The Simple Technology STI334000 consist of eight CMOS 4M x 4 DRAMs in 24-pin SOJ package and one CMOS 4M x 1 bit DRAMs in a 20-pin SOJ package mounted on a 72-pin glass epoxy substrate. A 0.1µF decoupling capacitor is mounted for each DRAM.

The STI334000 is a Single In-line Memory Module with tin or gold edge connections, 5V power supply, and 2K refresh. The STI334000 is intended for mounting into 72-pin edge connector sockets.

## PIN CONFIGURATION

Pin	Symbol	Pin	Symbol	Pin	Symbol
1	V <sub>SS</sub>	25	DQ <sub>22</sub>	49	DQ <sub>8</sub>
2	DQ <sub>0</sub>	26	DQ <sub>7</sub>	50	DQ <sub>24</sub>
3	DQ <sub>16</sub>	27	DQ <sub>23</sub>	51	DQ <sub>9</sub>
4	DQ <sub>1</sub>	28	A <sub>7</sub>	52	DQ <sub>25</sub>
5	DQ <sub>17</sub>	29	NC	53	DQ <sub>10</sub>
6	DQ <sub>2</sub>	30	V <sub>CC</sub>	54	DQ <sub>26</sub>
7	DQ <sub>18</sub>	31	A <sub>8</sub>	55	DQ <sub>11</sub>
8	DQ <sub>3</sub>	32	A <sub>9</sub>	56	DQ <sub>27</sub>
9	DQ <sub>19</sub>	33	NC	57	DQ <sub>12</sub>
10	V <sub>CC</sub>	34	RAS <sub>2</sub>	58	DQ <sub>28</sub>
11	NC	35	NC	59	V <sub>CC</sub>
12	A <sub>0</sub>	36	NC	60	DQ <sub>29</sub>
13	A <sub>1</sub>	37	NC	61	DQ <sub>13</sub>
14	A <sub>2</sub>	38	DQ <sub>32</sub>	62	DQ <sub>30</sub>
15	A <sub>3</sub>	39	V <sub>SS</sub>	63	DQ <sub>14</sub>
16	A <sub>4</sub>	40	CAS <sub>0</sub>	64	DQ <sub>31</sub>
17	A <sub>5</sub>	41	CAS <sub>2</sub>	65	DQ <sub>15</sub>
18	A <sub>6</sub>	42	CAS <sub>3</sub>	66	NC
19	A <sub>11</sub>	43	CAS <sub>1</sub>	67	PD <sub>1</sub>
20	DQ <sub>4</sub>	44	RAS <sub>0</sub>	68	PD <sub>2</sub>
21	DQ <sub>20</sub>	45	NC	69	PD <sub>3</sub>
22	DQ <sub>5</sub>	46	NC	70	PD <sub>4</sub>
23	DQ <sub>21</sub>	47	W	71	NC
24	DQ <sub>6</sub>	48	NC	72	V <sub>SS</sub>



0227M

## Pin Names

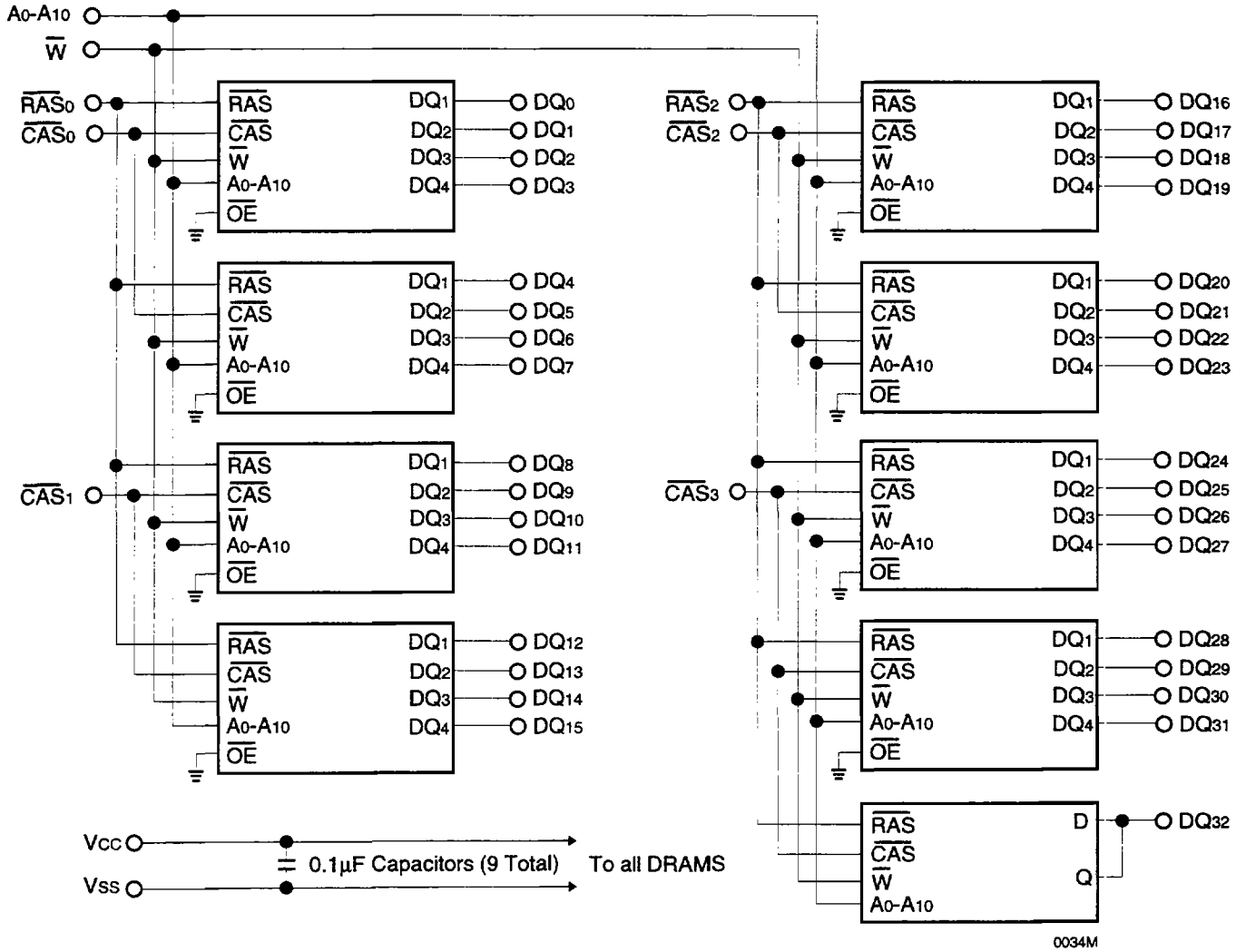
Pin Name	Pin Function
A <sub>0</sub> -A <sub>10</sub>	Address Inputs
DQ <sub>0</sub> -DQ <sub>32</sub>	Data In/Out
W	Read/Write Input
RAS <sub>0</sub> , RAS <sub>2</sub>	Row Address Strobe
CAS <sub>0</sub> -CAS <sub>3</sub>	Column Address Strobe
PD <sub>1</sub> -PD <sub>4</sub>	Presence Detect
V <sub>CC</sub>	Power (+5V)
V <sub>SS</sub>	Ground
NC	No Connection

## Presence Detect Pins\* (Optional)

Pin	60ns	70ns	80ns
PD <sub>1</sub>	V <sub>SS</sub>	V <sub>SS</sub>	V <sub>SS</sub>
PD <sub>2</sub>	NC	NC	NC
PD <sub>3</sub>	NC	V <sub>SS</sub>	NC
PD <sub>4</sub>	NC	NC	V <sub>SS</sub>

\* Pin Connection Changing Available

FUNCTIONAL BLOCK DIAGRAM



**ABSOLUTE MAXIMUM RATINGS\***

Item	Symbol	Rating	Units
Voltage on Any Pin Relative to $V_{SS}$	$V_{IN}, V_{OUT}$	-1 to +7.0	V
Voltage on $V_{CC}$ Supply Relative to $V_{SS}$	$V_{CC}$	-1 to +7.0	V
Storage Temperature	$T_{stg}$	-55 to +150	°C
Power Dissipation	$P_D$	8.6	W
Short Circuit Output Current	$I_{OS}$	50	mA

\* Permanent device damage may occur if "ABSOLUTE MAXIMUM RATINGS" are exceeded. Functional Operation should be restricted to the conditions as detailed in the operational sections of this data sheet. Exposure to absolute maximum rating conditions for extended periods may affect device reliability.

**RECOMMENDED OPERATING CONDITIONS** (Voltage reference to  $V_{SS}, T_A=0$  to  $70^\circ\text{C}$ )

Item	Symbol	Min	Typ	Max	Unit
Supply Voltage	$V_{CC}$	4.5	5.0	5.5	V
Ground	$V_{SS}$	0	0	0	V
Input High Voltage	$V_{IH}$	2.4	—	$V_{CC}+1^*$	V
Input Low Voltage	$V_{IL}$	-1.0**	—	0.8	V

\*  $V_{CC}+2.0V/20ns$ , Pulse width is measured at  $V_{CC}$

\*\*  $-2.0V/20ns$ , Pulse width is measured at  $V_{SS}$

**DC AND OPERATION CHARACTERISTICS**

(Recommended operating conditions unless otherwise noted.)

Parameter		Symbol	Min	Max	Units
Operating Current* ( $\overline{RAS}, \overline{CAS}$ , Address Cycling @ $t_{RC}=\text{min.}$ )	STI334000-60	$I_{CC1}$	—	875	mA
	STI334000-70			785	
	STI334000-80			695	
Standby Current ( $\overline{RAS}=\overline{CAS}=\overline{W}=V_{IH}$ )		$I_{CC2}$	—	18	mA
$\overline{RAS}$ -Only Refresh Current* ( $\overline{CAS}=V_{IH}$ , $\overline{RAS}$ , Address Cycling @ $t_{RC}=\text{min.}$ )	STI334000-60	$I_{CC3}$	—	875	mA
	STI334000-70			785	
	STI334000-80			695	
Fast Page Mode Current* ( $\overline{RAS}=V_{IL}$ , $\overline{CAS}$ , Address Cycling: $t_{PC}=\text{min.}$ )	STI334000-60	$I_{CC4}$	—	695	mA
	STI334000-70			605	
	STI334000-80			515	
Standby Current ( $\overline{RAS}=\overline{CAS}=V_{CC}-0.2V$ )		$I_{CC5}$	—	9	mA
$\overline{CAS}$ -Before- $\overline{RAS}$ Refresh Current* ( $\overline{RAS}$ and $\overline{CAS}$ Cycling @ $t_{RC}=\text{min.}$ )	STI334000-60	$I_{CC6}$	—	875	mA
	STI334000-70			785	
	STI334000-80			695	
Input Leakage Current (Any input $0 \leq V_{IN} \leq 6.5V$ , all other pins not under test=0V)		$I_{IL}$	-45	45	µA
Output Leakage Current (Data out is disabled, $0 \leq V_{OUT} \leq 5.5V$ )		$I_{OL}$	-5	5	µA
Output High Voltage Level ( $I_{OH}=-5mA$ )		$V_{OH}$	2.4	—	V
Output Low Voltage Level ( $I_{OL}=4.2mA$ )		$V_{OL}$	—	0.4	V

\*  $I_{CC1}, I_{CC3}, I_{CC4}$ , and  $I_{CC6}$  are dependent on output loading and cycling rates. Specified values are obtained with the output open.  $I_{CC}$  is specified as an average current. In  $I_{CC1}$  and  $I_{CC3}$ , address can be changed maximum once while  $\overline{RAS}=V_{IL}$ . In  $I_{CC4}$ , address can be changed maximum once within one page mode cycle.

**CAPACITANCE** ( $T_A=25\text{ }^\circ\text{C}$ ,  $V_{CC}=5.0\text{V}$ ,  $f=1\text{MHz}$ )

Item	Symbol	Min	Max	Units
Input Capacitance ( $A_0$ - $A_{10}$ )	$C_{IN1}$	—	45	pF
Input Capacitance ( $\overline{W}$ )	$C_{IN2}$	—	63	pF
Input Capacitance ( $\overline{RAS}_0$ )	$C_{IN3}$	—	28	pF
Input Capacitance ( $\overline{RAS}_2$ )	$C_{IN4}$	—	35	pF
Input Capacitance ( $\overline{CAS}_0$ - $\overline{CAS}_2$ )	$C_{IN5}$	—	14	pF
Input Capacitance ( $\overline{CAS}_3$ )	$C_{IN6}$	—	21	pF
Input/Output Capacitance ( $DQ_0$ - $DQ_{31}$ )	$C_{DQ1}$	—	7	pF
Input/Output Capacitance ( $DQ_{32}$ )	$C_{DQ2}$	—	14	pF

**AC CHARACTERISTICS** ( $0\text{ }^\circ\text{C} \leq T_A \leq 70\text{ }^\circ\text{C}$ ,  $V_{CC}=5.0\text{V} \pm 10\%$ , See notes 1, 2)

Parameter	Symbol	STI334000-60		STI334000-70		STI334000-80		Unit	Notes
		Min	Max	Min	Max	Min	Max		
Random read or write cycle time	$t_{RC}$	110		130		150		ns	
Access time from $\overline{RAS}$	$t_{RAC}$		60		70		80	ns	3, 4
Access time from $\overline{CAS}$	$t_{CAC}$		15		20		20	ns	3, 4, 5
Access time from column address	$t_{AA}$		30		35		40	ns	3, 10
$\overline{CAS}$ to output in Low-Z	$t_{CLZ}$	0		0		0		ns	3
Output buffer turn-off delay	$t_{OFF}$	0	15	0	20	0	20	ns	6
Transition time (rise and fall)	$t_T$	3	50	3	50	3	50	ns	2
$\overline{RAS}$ precharge time	$t_{RP}$	40		50		60		ns	
$\overline{RAS}$ pulse width	$t_{RAS}$	60	10,000	70	10,000	80	10,000	ns	
$\overline{RAS}$ hold time	$t_{RSH}$	15		20		20		ns	
$\overline{CAS}$ hold time	$t_{CSH}$	60		70		80		ns	
$\overline{CAS}$ pulse width	$t_{CAS}$	15	10,000	20	10,000	20	10,000	ns	
$\overline{RAS}$ to $\overline{CAS}$ delay time	$t_{RCD}$	20	45	20	50	20	60	ns	4
$\overline{RAS}$ to column address delay time	$t_{RAD}$	15	30	15	35	15	40	ns	10
$\overline{CAS}$ to $\overline{RAS}$ precharge time	$t_{CRP}$	5		5		5		ns	
Row address set-up time	$t_{ASR}$	0		0		0		ns	
Row address hold time	$t_{RAH}$	10		10		10		ns	
Column address set-up time	$t_{ASC}$	0		0		0		ns	
Column address hold time	$t_{CAH}$	10		15		15		ns	
Column address to $\overline{RAS}$ lead time	$t_{RAL}$	30		35		40		ns	
Read command set-up time	$t_{RCS}$	0		0		0		ns	
Read command hold referenced to $\overline{CAS}$	$t_{RCH}$	0		0		0		ns	8
Read command hold referenced to $\overline{RAS}$	$t_{RRH}$	0		0		0		ns	8
Write command set-up time	$t_{WCS}$	0		0		0		ns	7
Write command hold time	$t_{WCH}$	10		15		15		ns	
Write command pulse width	$t_{WP}$	10		15		15		ns	
Write command to $\overline{RAS}$ lead time	$t_{RWL}$	15		20		20		ns	
Write command to $\overline{CAS}$ lead time	$t_{CWL}$	15		20		20		ns	

continued on the next page

AC CHARACTERISTICS (continued)

Parameter	Symbol	STI334000-60		STI334000-70		STI334000-80		Unit	Notes
		Min	Max	Min	Max	Min	Max		
Data-in set-up time	$t_{DS}$	0		0		0		ns	9
Data-in hold time	$t_{DH}$	10		15		15		ns	9
Refresh period	$t_{REF}$		32		32		32	ms	
$\overline{CAS}$ set-up time ( $\overline{C}$ -B- $\overline{R}$ refresh)	$t_{CSR}$	5		5		5		ns	
$\overline{CAS}$ hold time ( $\overline{C}$ -B- $\overline{R}$ refresh)	$t_{CHR}$	10		15		15		ns	
$\overline{RAS}$ precharge to $\overline{CAS}$ hold time	$t_{RPC}$	5		5		5		ns	
Access time from $\overline{CAS}$ precharge	$t_{CPA}$		35		40		45	ns	3
Fast Page mode cycle time	$t_{PC}$	40		45		50		ns	
$\overline{CAS}$ precharge time (fast page)	$t_{CP}$	10		10		10		ns	
$\overline{RAS}$ pulse width (fast page)	$t_{RASP}$	60	200,000	70	200,000	80	200,000	ns	
$\overline{W}$ to $\overline{RAS}$ precharge time ( $\overline{C}$ -B- $\overline{R}$ refresh)	$t_{WRP}$	10		10		10		ns	
$\overline{W}$ to $\overline{RAS}$ hold time ( $\overline{C}$ -B- $\overline{R}$ refresh)	$t_{WRH}$	10		10		10		ns	
$\overline{CAS}$ precharge ( $\overline{C}$ -B- $\overline{R}$ counter test)	$t_{CPT}$	20		30		30		ns	

Notes:

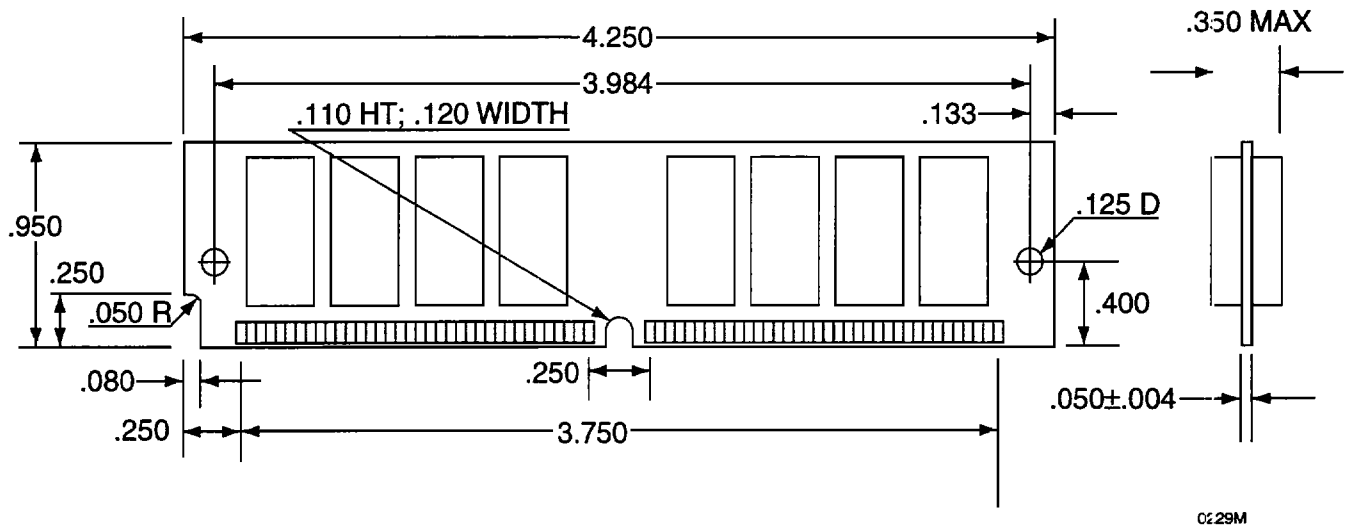
1. An initial pause of 200 ms is required after power-up followed by any 8  $\overline{RAS}$ -Only or  $\overline{CAS}$ -before- $\overline{RAS}$  refresh cycles before proper device operation is achieved.
2.  $V_{IH(min)}$  and  $V_{IL(max)}$  are reference levels for measuring timing of input signals. Transition times are measured between  $V_{IH(min)}$  and  $V_{IL(max)}$ , and are assumed to be 5ns for all inputs.
3. Measure with a load equivalent to 2 TTL loads and 100pF.
4. Operation within the  $t_{RCD(max)}$  limit insures that  $t_{RAC(max)}$  can be met.  $t_{RCD(max)}$  is specified as a reference point only. If  $t_{RCD}$  is greater than the specified  $t_{RCD(max)}$  limit, then access time is controlled exclusively by  $t_{CAC}$ .
5. Assumes that  $t_{RCD} \geq t_{RCD(max)}$ .
6. This parameter defines the time at which the output achieves the open circuit condition and is not referenced to  $V_{OH}$  or  $V_{OL}$ .
7.  $t_{WCS}$  is a non-restrictive operating parameter. It is included in the data sheet as electrical characteristic only. If  $t_{WCS} \geq t_{WCS(min)}$ , the cycle is an early write cycle and the data out pin will remain high impedance for the duration of the cycle.
8. Either  $t_{RCH}$  or  $t_{RRH}$  must be satisfied for a read cycle.
9. These parameters are referenced to the  $\overline{CAS}$  leading edge in early write cycles.
10. Operation within the  $t_{RAD(max)}$  limit insures that  $t_{RAC(max)}$  can be met.  $t_{RAD(max)}$  is specified as a reference point only. If  $t_{RAD}$  is greater than the specified  $t_{RAD(max)}$  limit, then access time is controlled by  $t_{AA}$ .

TIMING DIAGRAMS

Please refer to attached Timing Chart I.

PACKAGE DIMENSIONS

Units: Inches



TOLERANCES: ±0.005 UNLESS OTHERWISE SPECIFIED